

# SERIE 229

ADVANCED TECHNOLOGY

MEMORY DIAL

EXPLOSION PROOF

WEATHERPROOF

VANDAL PROOF

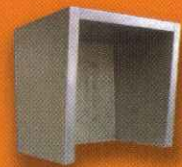


REMOTE  
DIAGNOSTIC

REINFORCED  
COMPOSITE

FLASHING  
LIGHT

OPTIONAL EQUIPMENT  
\*VOIP EQUIPMENT  
\*HEADSET EQUIPMENT



HANDS FREE



[www.lelas.fr](http://www.lelas.fr)  
+33 (0)1 48 76 62 62

LELAS GROUPE



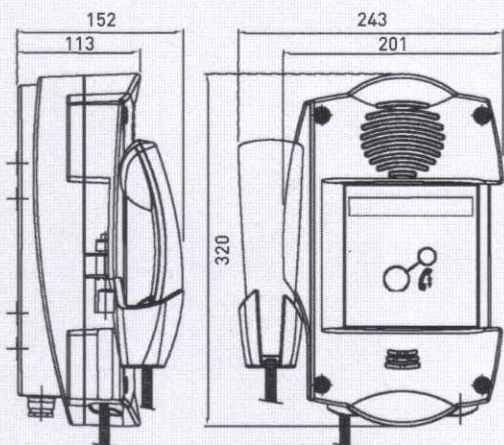


**DESCRIPTION**

Explosion-proof EEx IP66 telephone for wall mounting, indoor or outdoor, for the locale industrial and noisy

- **Electrical Characteristics:**
  - Direct current supply: 12 to 60 Vdc
  - Consumption: 15 to 45mA
  - Ringing voltage: 30-90 Vac
  - Dialling: DTMF / decimal
  - Flashing/earth: adjustable
  - Electronic Bell: 92dB at 1 m.
  - Visual calling signal : Option
  - Noise cancelling: noise cancelling circuit
  - Hook: magnetic
  - Conversation Mode: By handset/ Hands free/ Headphone
  - Others characteristic: CCITT Q23
- **Options**
  - IP card
  - Remote diagnostic
  - Headphone
  - Second receiver
  - Handset cord 1m70

■ **Over all dimensions**



Group LELAS founded in 1909 has created a new range of high quality telephones following its major principles : safety of communication, sound optimization, and integration of latest technological achievements to its products.

Low energy consumption with maximum power, a receiver adaptable to different environments, hands-free version, level of watertightness and high shock resistance, IP version possible, parts easy to remove for easy maintenance, and different options offered by LELAS make most demanding customers choose this explosionproof telephone 229.

LELAS clients benefit from company's century experience of creating robust and safe telecommunication systems. New telephone model 229 is easy to install and to connect to the telephone line, wide choice of options, robust weatherproof and explosionproof components can be used in the hardest climatic conditions, stainless-steel screws, made of reinforced polycarbonate to resist shocks, keyboard version, LCD display, call memory, integrated flash lamp, remote testing by master station.

All LELAS equipment has 3 year guarantee for maintenance and spare parts.

**CHARACTERISTICS**

- Body material / color: polyester plastic / RAL2003
- Handset material / color: polyester plastic / black
- Handset cord: stainless steel (INOX) 100 kg resistance
- Loudspeaker (hands-free)/microphone: vandal resistant / 5W mounting: on wall
- Termination: inside screw connections
- Dimensions: 201 x 320 x 113 mm
- Weight: 2.4 kg
- IP-rating: IP66
- Impact rating (IK): 10
- EEx protection: EEx em [ib] ib IIC T5 / ATEX II 2 G D
- Max. / min. amb. temp: -40 °C / + 60°C
- Maintenance: all circuits and control devices are fixed on the easy removable front plate for a very quick substitution of equipment in field.

**REFERENCES**

Model	Receiver	Hands-free	Display	Keyboard & memory	1 button	Flashing light	Remote diagnostic
TLC229A1A	●						●
TLA229A1AT	●			●			●
TLS229A1AT	●	●		●			●
TLS229A1ATF	●	●	●	●		●	●
TLS229A1CLT		●	●	●		●	●
TLS229A1BT		●			●		●



Qualité certifiée ISO 9001 V2000