



LELAS

ADVANCED TECHNOLOGY

201-202
Range

TCH 201



TCH 202

WATERPROOF
CALL MEMORY
ANTI-SHOCK
ROBUST MATERIALS
REMOTE DIAGNOSTIC



OPTION
COMBINÉ / CASQUE ECOUTEUR



COMMUNICATIONS UNDER HIGH PROTECTION
WWW.LELAS.FR | ☎ : +33(0)1 48 76 62 62



LELAS



DESCRIPTION

■ Caractéristiques électriques :

Power supply voltage: 24, 48 or 230V
 idle Consumption: 22mA
 Online consumption: 250mA
 Power Ring: 74 to 88dB

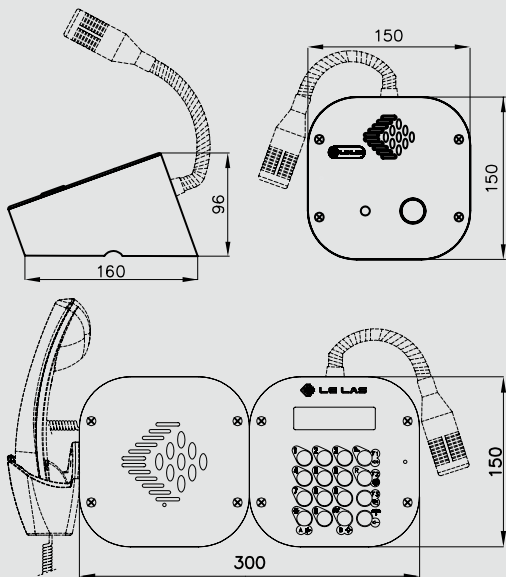
■ TCH 201 Series options :

1 or 5W loudspeaker
 One button, two buttons
 Flexible microphone
 Handset
 48 and 230V power supply
 10 or 100 directions network
 Wall mount 2 points
 IP 54 protected
 Colors on request

■ TCH 202 Series options :

1 or 5W loudspeaker
 One button, two buttons
 Flexible microphone
 Handset
 Broadcast pre-recorded message
 48 and 230V power supply
 10 or 100 directions network
 Wall mount 2 points
 IP 54 protected
 Colors on request

■ Dimensions :



INTERPHONES - SÉRIE 201/202

After 15 years of existence, tested at any sites and in every configuration. The 153 series of desktops «Universal» is replaced by the 201/202 series.

More elegant, more compact, more durable, these intercoms are now available in desktop or wall mounted, with a range of 1W or 5W amp, powered from a central point and/or locally with 24, 48VDC or 230VAC.

They are used indiscriminately as: Intercom network, master station network, mesh network, wired in bus and/or star with a line of conversation, or new feature, five lines of communication with the addition of a central type TCT-210P1U2.

These items that retain all the functions in the range 153, Individual Call, Group Call, general Call, dial memory, forward call, remote relay interface with all other materials in the LELAS range, recessed positions, ext. projecting position Heavy Duty composite or aluminum, 5W or 15W, clean room stations, ATEX post...

FEATURES

Material / Color: Aluminum / Black, White
 Handset Material / color: black polycarbonate
 Microphone: Electret type
 Speaker: 25Ω/1W 72dB at 1M to 91dB 50Ω/5W at 1M
 Wall mounting: 2 points
 Connection: RJ45
 Cable Type: 8 channels Telephone cable
 Dimensions: (201) 150x150x102 / (202) 300x150x102
 Weight: 1.2Kg to 3kg
 Protection index (IP): IP54
 Shock protection index (IK): IK7
 Ambient temperature: -20 ° C/60 ° C

RÉFÉRENCES

SERIE 201 / 202 - TCH202P2C9 - EQUIPEMENTS ET OPTIONS									
TCH	202	P	2	C9	Options	M	Option	Alim	
					Bouton d'appel	HP	Micro		
TYPE TCH : Pupitre TLH : mural	BOITIER 201 : 1 Module 202 : 2 Modules	Indice Protection	Réseau 1:conférence 2:uni2G	Equipement B : 1 Bouton D : 2 Boutons C9 : Ecran + Clavier*	H: HP 1 W H5 : HP 5 W G : combiné	M : Incorporé X : Flexible	Gabarit réseau T : 100 directions	24V CC : 48V CA : 230V	

Existe aussi en modèle Téléphone, Téléphone VOIP, ou Interphone SIP * Option non cumulable



Conforme à la normalisation CE

